



## Truncated & Small Parabolic Antennas



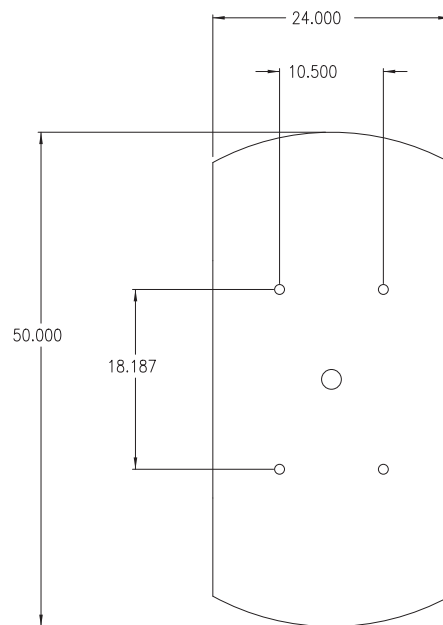
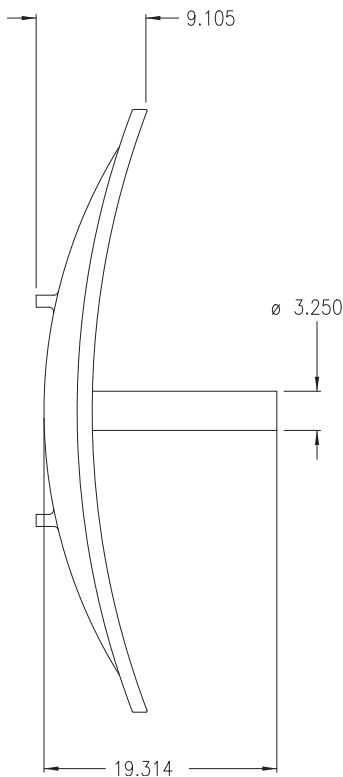
The BMA series of truncated dish antennas consists of fiberglass reflectors with interchangeable feeds designed to operate in the frequency bands between 1 and 15 GHz.

The antennas can be mounted on portable tripods, telescoping masts, or pan/tilt pedestals for mobile applications, and pole or tower mounted for fixed installations. This popular parabolic design provides the user with an azimuth beamwidth of a full size reflector while utilizing on 2/3 the weight and area.

### Key Features

- ▶ High Gain
- ▶ Interchangeable Feeds
- ▶ Linear, Circular, Dual Circular, or Switchable Design
- ▶ High Performance Design
- ▶ Easy Installation
- ▶ Multiple Frequency Bands

The antenna feeds are available in linear, circular, dual circular, or polarity switchable and can accommodate up to 60 watts of power. Feeds are attached to the reflector with four screws, (or with a feed support assembly), allowing quick and easy assembly. The reflector has four threaded insert posts for easy mounting. VSWR is 1.5:1 and input connection is via type "N", SMA or waveguide flange. Low noise amplifiers, radomes, and quick disconnect mounting brackets are available.



All Data Subject to Change Without Notice

Broadcast Microwave Services, Inc.  
12367 Crosthwaite Circle - Poway, California 92064 - U.S.A.  
Tel: +1-858-391-3050, Toll Free (U.S.): 800-669-9667  
Fax: +1-858-391-3049, Website: [www.bms-inc.com](http://www.bms-inc.com)  
E-mail: [sales@bms-inc.com](mailto:sales@bms-inc.com)





# Truncated & Small Parabolic Antennas

<b>Truncated Parabolic Antennas</b>								
Freq.	2	2.5	4	5	7	10	13	15
<b>BMA-2/4 (24" x 50" / 61 x 127 cm)</b>								
Gain	23 dB	25 dB	29 dB	31 dB	34 dB	37 dB	39 dB	40.5 dB
AZ Beamwidth	9°	7°	4.5°	3.5°	2.5°	1.75°	1.4°	1.2°
EL Beamwidth	18°	14°	9°	7°	5°	3.5°	2.7°	2.4
<b>BMA-3/6 (38" x 74" / 91.4 x 188 cm); 20 Lbs. (9.07 Kg)</b>								
Gain	25.5 dB	27.5 dB	31.5 dB	33.5 dB	36 dB	39.5 dB	41.7 dB	n/a
AZ Beamwidth	5.8°	4.7°	2.9°	2.3°	1.7°	1.2°	.9°	n/a
EL Beamwidth	11.6°	9.4°	5.8°	4.6°	3.4°	2.4°	1.8°	n/a
<b>BMA-15/30 (15" x 30" / 38.1 x 76.2 cm)</b>								
Gain	19 dB	21 dB	25 dB	27 dB	30 dB	33 dB	35 dB	36.5 dB
AZ Beamwidth	14°	11.2°	7°	5.6°	4°	2.8°	2.2°	1.9°
EL Beamwidth	28°	22.4°	14°	11.2°	8°	5.6°	4.4°	3.8°
<b>BMA 7/14 (7" x 24" / 17.8 x 35.6 cm)</b>								
Gain	n/a	n/a	n/a	n/a	22 dB	25 dB	27 dB	28.5 dB
AZ Beamwidth	n/a	n/a	n/a	n/a	8.5°	6°	4.6°	4°
EL Beamwidth	n/a	n/a	n/a	n/a	17°	12°	9.2°	8°

<b>Small Parabolic Antennas</b>					
<b>18" Reflectors, Solid</b>					
Model	BMA-1.5-7		BMA-1.5-4	BMA-1.5-9	BMA-1.5-10
Frequency	1.99-2.5 GHz		4.4-5.0 GHz	6.8-7.2 GHz	2.8-13.2 GHz
Polarization	V, H, RHC/LHC		V, H, RHC/LHC	V, H, RHC/LHC	V, H
Gain	15 dBi @2.0 GHz, 18 dBi @2.5 GHz		24 dBi	28 dBi	33 dBi
HPBW	22°		9.5°	6.5°	3.5°
VSWR	1.5:1 Max				
Connector	N (Linear), SMA (Circular)			N (Linear), SMA (Circular), Waveguide	

<b>24" Reflectors, Solid</b>					
Model	BMA-2-7		BMA-2-4	BMA-2-9	BMA-2-10
Frequency	1.99-2.5 GHz		4.4-5.0 GHz	6.8-7.2 GHz	12.8-13.2 GHz
Polarization	V, H, RHC/LHC		V, H, RHC/LHC	V, H, RHC/LHC	V, H
Gain	19 dBi @2.0 GHz, 21 dBi @2.5 GHz		27 dBi	30 dBi	35.5 dBi
HPBW	18.5°		7.5°	5°	2.8°
VSWR	1.5:1 Max.				
Connector	N (Linear), SMA (Circular)			N (Linear), SMA (Circular), Waveguide	

All Data Subject to Change Without Notice  
5/8/2021

Broadcast Microwave Services, Inc.  
12367 Crosthwaite Circle - Poway, California 92064 - U.S.A.  
Tel: +1-858-391-3050, Toll Free (U.S.): 800-669-9667  
Fax: +1-858-391-3049, Website: www.bms-inc.com  
E-mail: sales@bms-inc.com

