



# TAA-101

## Omni Actuator System

### Aircraft Transmit Antenna

#### > Applications

- Aerial Surveillance & Pursuits
- Disaster Surveys
- Observe Motorcades
- Traffic Reports
- Parades
- News & Sporting Events

#### > Benefits

- Low Cost
- Light Weight
- 360° Azimuth Coverage
- FAA Approval for Many Popular Helicopters
- Safety Breakaway Feature
- Quick Installation
- Transmit & Receive Capability
- Deploys Below Craft While in Flight
- Stow for Landing



TAA-SM Skid Mount  
(Standard and Hi-Lift  
models shown)

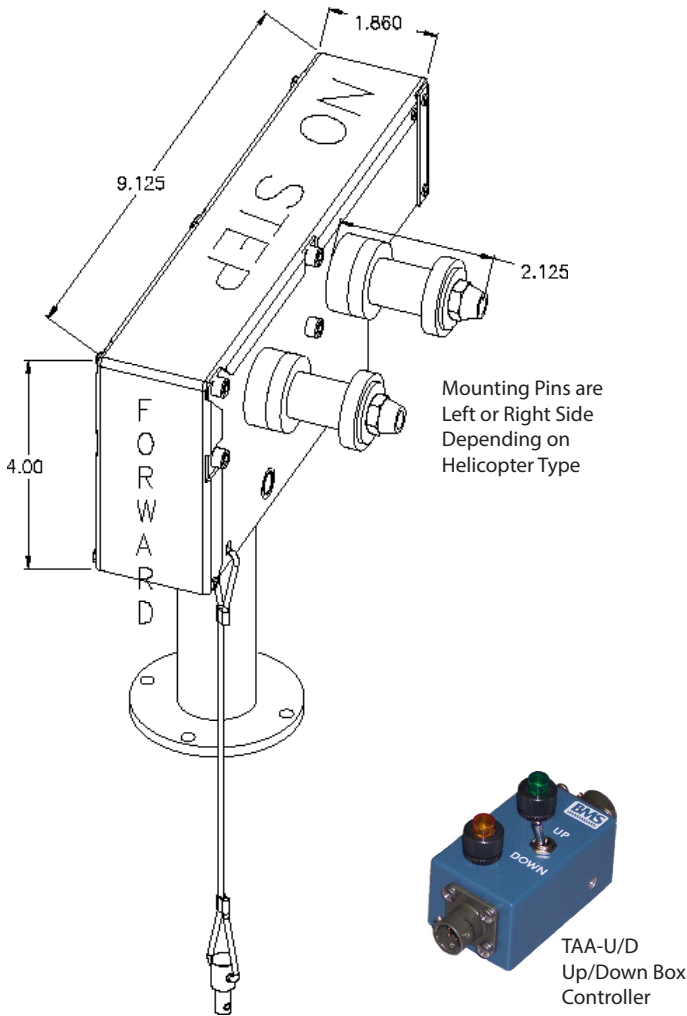


TAA-101 Antenna Actuator  
shown with BMA-6-O antenna

#### > Overview

This dependable low cost antenna is skid mounted (or can be fixed to the belly of the aircraft) and employs an omnidirectional antenna that provides 360° of azimuth coverage. The unit comes standard with breakaway release mechanisms to assure safety in case the helicopter lands with the antenna still down in the deployed mode. A safety wire prevents it from dropping off should the breakaway safety feature be used.

This system can be analog when equipped with a BMT75/85 Series Transmitter or digital when equipped with a Heli-Coder System.



Antenna	
Polarization	Vertical or RHC
Gain	5-6 dBi depending on frequency (Various Antenna Options Available)
AZ Beamwidth	360°
EL Beamwidth	Dependent on Antenna Selected
Frequency	Dependent on Antenna Selected
Return Loss	≥ 14 dB

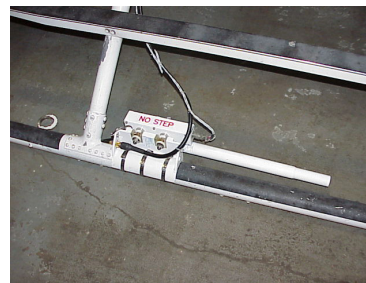
Environmental	
Operating Temperature	-20°C to +55°C
Humidity	Up to 95% RH Non-Condensing

Power	
Voltage Input	28 ± 4 VDC
Consumption	1 A max(When Deploying or Stowing)

Mechanical	
Dimensions	Actuator: 9" x 4" x 2" (22.86 x 10.16 x 7.62 cm) Skid Mount: 9" x 3.5" x 4" (22.86 x 8.89 x 10.16 cm) BMA-6-O: 2.5" Diameter x 20" (6.35 x 50.8 cm)
Weight	Actuator: 5 lbs Skid Mount: 2 lbs BMA-6-O: 1 lb

Control Panel		
Model	Size	Weight
DLC50	5.75" x 1.5" x 4.40" (14.06 x 3.81 x 11.18 cm)	14.60 oz (0.42 kg)
HCP-50	5.75" x 1.5" x 3.06" (14.06 x 3.81 x 7.78 cm)	<1 lb (.45 kg)
HCP-100	5.75" x 3" x 2.5" (14.06 x 7.62 x 6.35 cm)	1 lb (.45 kg)

Ordering Information	
TAA-101-LSM	Antenna actuator with release pins for left (port) side mounting
TAA-101-RSM	Antenna actuator with release pins for right (starboard) side mounting
TAA-SM-(xx)	Skid mount selected according to aircraft skid diameter. Contact factory with requirements.
TAA-CTM-(xx)	Cross-Tube Mount, offers other mounting options, substitute for skid mount
TAA-U/D	Up/Down Control Box for Actuator Control when HCP or DLC control panels are not used
Highlift Kit	Raises actuator up to 4" for rough terrain landings
MNT-3	Mounting Bracket to add second antenna and ASA-100 antenna select switch (consult factory)
Installation/Removal Tool Kit	Includes install tool, removal tool, and tool bag.



With TAA-SM Skid Mount



Cross-Tube Mount, TAA-CTM