



BMA-20/30 Low Side Lobe ENG Antenna



Field Proven Performance
The BMA-20/30 is field proven in everyday use with hundreds of antennas in operation worldwide. Its design concept has been imitated; however its performance and quality are unmatched. The BMA-20/30 has been designed to overcome the signal degradation problems that are faced by mobile microwave operations, including adjacent channel interference and multipath effects. It incorporates characteristics that are critical for superior performance in mobile microwave operations - high gain and directivity, low sidelobes and low axial ratio circular polarization - to ensure high quality signals and the maximum area of coverage.

Applications:

- ▶ ENG

Features:

- ▶ Field Proven Performance
- ▶ 2, 7, 13, and 15 GHz Operation
- ▶ Single, Dual and Triple Band Versions
- ▶ Rugged Construction
- ▶ High Gain for Maximim Range
- ▶ Superior Directivity to Minimize Multipath Reflections

Multiple Band Operation

Available for operation at 2 GHz, 7 GHz, 13 GHz and 15 GHz as well as other frequencies, the BMA-20/30 is available in single, dual and triple band versions. The dual and triple band versions are ideal for applications where increased user congestion or spectrum reallocation jeopardize daily operations.

Advanced Antenna Design

The BMA-20/30 incorporates important characteristics that are critical for superior performance - high gain, directivity and selectable polarization - to isolate the microwavelink from interference and to provide the maximum area of coverage.



Low Sidelobe ENG Antenna

The high gain performance of the BMA-20/30 provides greater range and signal strength. The advantage of the Silhouette's gain will be evident in the transmission of bounce shots where high attenuation levels would render a lesser performing antenna ineffective. The BMA-20/30 features a narrow azimuth beamwidth and low sidelobes.

All Data Subject to Change Without Notice

Broadcast Microwave Services, Inc.
12305 Crosthwaite Circle - Poway, California 92064 - U.S.A.
Tel: +1-858-391-3050, Toll Free (U.S.): 800-669-9667
Fax: +1-858-391-3049, Website: www.bms-inc.com
E-mail: sales@bms-inc.com





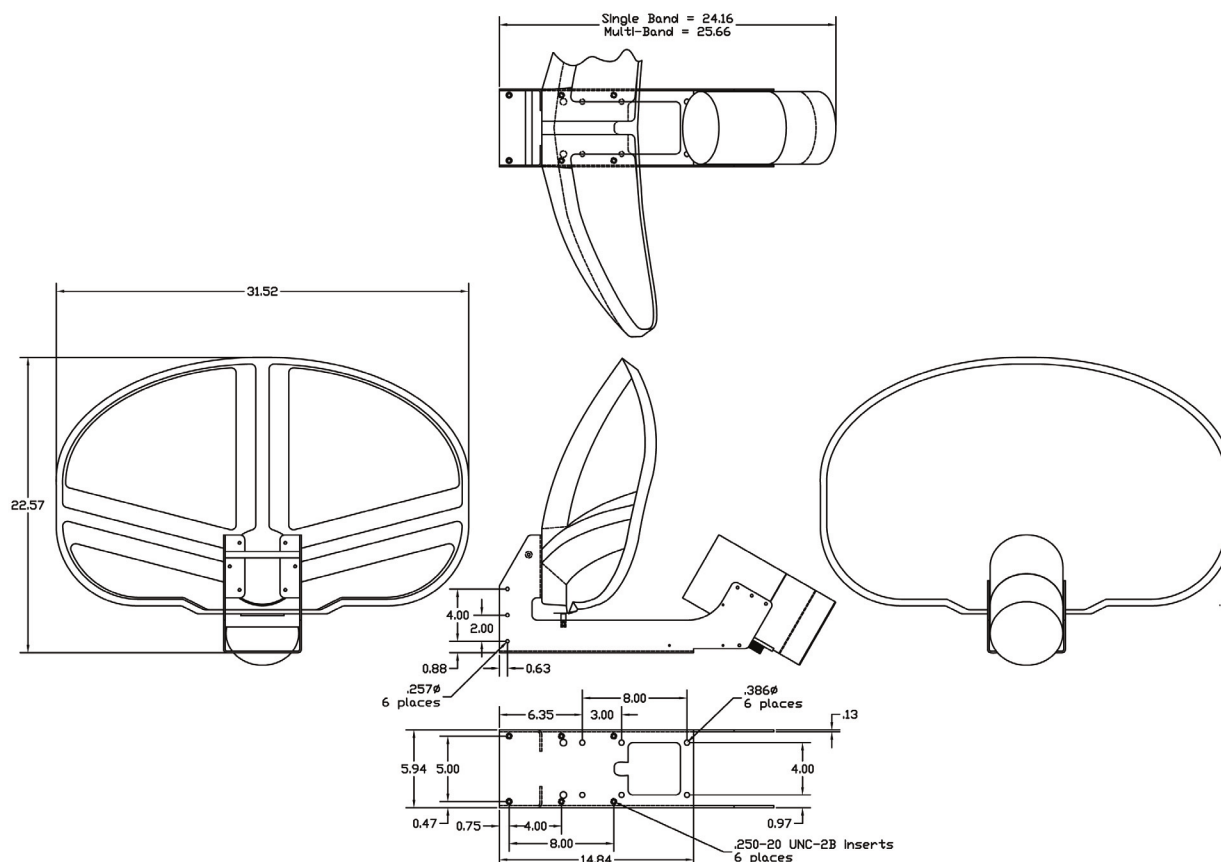
BMA-20/30 Low Side Lobe ENG Antenna

Specifications			
Frequency	Gain*	Azimuth HPBW	Elevation HPBW
2 GHz	20 dB	14°	22°
2.5 GHz	21 dB	11°	18°
7 GHz	30 dB	4°	7°
13 GHz	34 dB** 36dB	3°**	5°**, 3.5°
15 GHz	37 dB	1.8°	3°

Polarization	
Quad	Selectable; CW, CCW, H, V
Dual Circular	Selectable; CW, CCW
Dual Linear	Selectable; H, V
Single Circular	CW or CCW
Single Linear	H or V

* Gain referenced to a like-polarized isotrope, excluding switching options

** Performance for multiple band version



All Data Subject to Change Without Notice
5/9/2021

Broadcast Microwave Services, Inc.
12367 Crosthwaite Circle - Poway, California 92064 - U.S.A.
Tel: +1-858-391-3050, Toll Free (U.S.): 800-669-9667
Fax: +1-858-391-3049, Website: www.bms-inc.com
E-mail: sales@bms-inc.com

