



BDCx000-6

1 RU Block Downconverter



> Applications

- Digital Electronic News Gathering
- Live Events
- Fixed, Permanent Operation
- ISR Receive Site

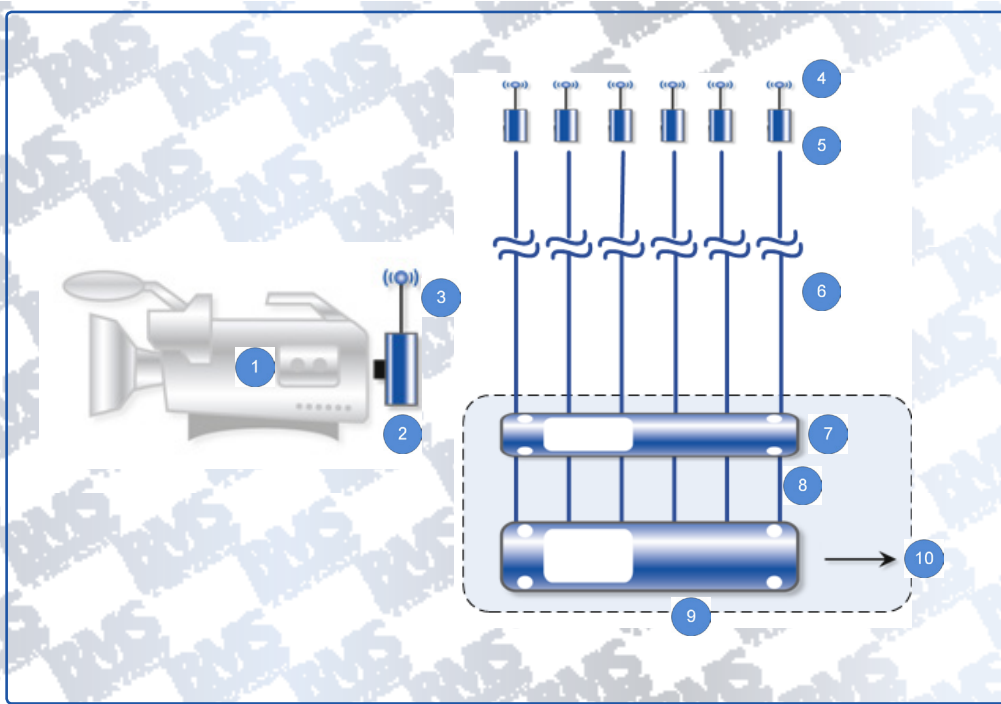
> Features

- Compact Size
- 6x BDC in 1 Rack Unit
- Wide Frequency Range
- High IP3
- DC Powered Through UHF Outputs
- DC Pass-Through Coax to Antennas
- Optional 24VDC Power Supply

> Performance

Providing high performance digital microwave reception has become increasingly challenging within today's congested frequency bands. A key differentiator of first class equipment is the ability to achieve very high levels of sensitivity and maintain this performance when operating close to other higher powered transmitters using similar frequencies.

BMS provides a compact 19" by 1 RU assembly with 6 integrated Block Downconverters. The BDC's are individually powered by the receiver through the UHF outputs. If remote low noise amplifiers are used, DC power may pass through the BDC's out the coaxial RF input connectors.



Description	
1	Camera
2	Transmitter
3	TX Antenna
4	RX Antenna
5	LNA
6	RF/DC Cable
7	BDCx000-6
8	UHF Cable
9	Diversity Receiver
10	Signal Output

Inputs / Outputs			
6x N (m)	RF in	RF input	50 Ω
6x BNC (f)	UHF out	UHF output	75 Ω

Ordering Information			
8014794200	BDC2000-6	2.0-2.7 GHZ	L.O. 2800 MHZ
8014794400	BDC4000-6	4.4-5.0 GHZ	L.O. 4200 MHZ
8014794600	BDC6000-6	6.425-6.525 GHZ	L.O. 6144 MHZ
8714504000	Optional 24 VDC power supply		
Others available, contact factory for information			

Technical Characteristics	
Configuration	6x RF input and 6x UHF output
Frequency input	See ordering information
Frequency output	167 to 867 MHz
Local Oscillator	See ordering information
Signal Gain	+32dB
IP3	35dBm
Power Input	16 to 24 VDC (via Coax Cable from receiver)
Consumption	20 W
Temperature	- 30 to + 60°C (-22 to +140°F)
Relative Humidity	5 to 95 %
Dimensions (W x D x H)	BDCx000-6 20.05 x 27.50 x 4.40 cm (8.07" x 10.83" x 1.73")
Weight	BDCx000-6 0.8 kg (1.76 lbs)

Broadcast Microwave Services, LLC reserves the right to make changes for the purposes of technical improvement. All rights reserved. | 050821
Broadcast Microwave Service Europe behält sich Änderungen vor, die dem technischen Fortschritt dienen. Alle Rechte vorbehalten.