



# DiversaPod™

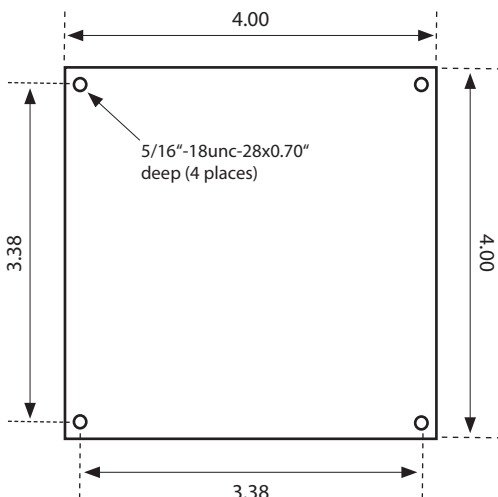
## Six-way Receive Antenna

### > Applications

- Fixed or Mobile Operations
- OB Van
- Live Events
- Command Post Vehicles
- Multi-camera Events
- Airborne Downlink Reception

### > Benefits

- Small and rugged
- Subdivided Frequency (1 - 7 GHz)
- Integrated Down Converter to UHF
- Integrated LNA
- One cable solution
- No moving parts
- Up-look antenna standard



Mounting Plate (inches)



4 GHz



2 GHz, 6 GHz

### > Features

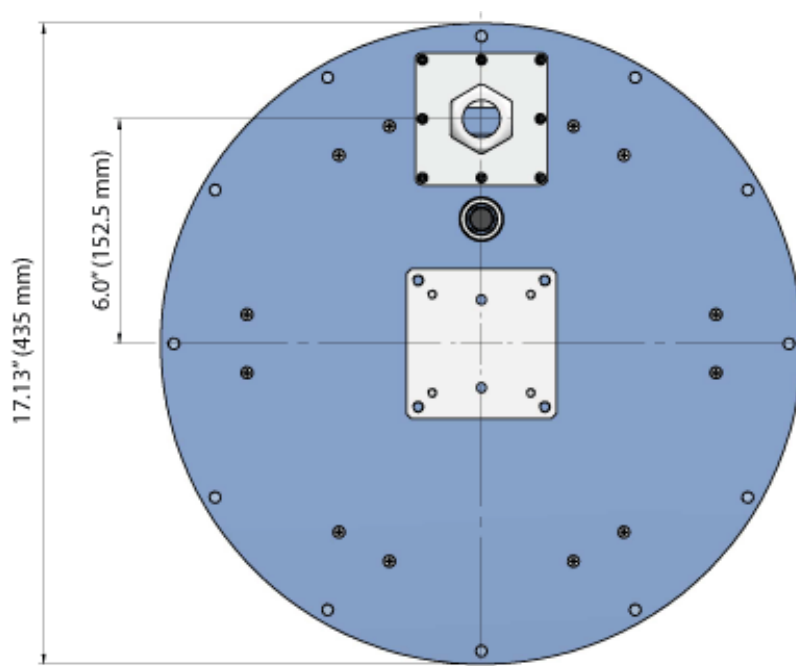
The DiversaPod™ six-way compact antenna with linear polarization for wireless camera or digital news applications and integrated down converters, covers the 2, 4, and 6 GHz ranges.

The DiversaPod™ diversity receive antenna is the perfect companion for BMS' popular DR6000 COFDM digital diversity receiver. The pod contains six sector antennas, six block down-converters, and six low-noise amplifiers, integrated within a compact and weather-tight radome. A single cable connects the DiversaPod to the receiver simplifying installation. Its compact size offers flexible mounting options.

Also included is an integrated "up-look" antenna to capture high altitude flyovers. Cable entry is a weatherproof PTO type connector. A single UHF/power cable or special Nycoil™ type spiral conduit is available for telescoping air masts. DC power to the antenna is typically delivered from the 6-way diversity receiver through the coaxial connections. Alternate powering can be arranged by contacting BMS with your needs.

> Technical Characteristics

SPECIFICATIONS	
Antenna Gain/Polarity (Panel)	2 GHz 12 dBi/vertical; 4 GHz 15 dBi/vertical; 6 GHz 15 dBi/vertical
Antenna Gain/Polarity (Up look)	7 dBi/RHC
Antenna Frequency	(Please see ordering information.)
IF	70-810 MHz
LNA Gain	20 dB
LNA Noise Figure	3 dB or better
Azimuth Beam Width	360° main panel, linear/vertical
Elevation Beam Width (HPBW)	30°
Beamwidth (Up-look)	70° x 70°, RHCP
Filters	Varies by frequency; check with BMS.
IF Connector	PTO type disconnect
Maximum Cable Length	300' (contact factory)
Voltage	16-24 VDC
Power	400 mW per channel
Weight	<15 lbs. in all cases
Radome	Weather proof Fiberglass Polyester Resin
Dimensions	Standard Radome: 18" H by 18" dia.; Low-Profile: 14" H by 18" dia.
Mounting Flange	See diagram
Color	White (standard); (O.D. Green consult factory)



> Ordering Information

MODEL	FREQUENCY (GHz)	GAIN dBi (PANEL/UL)	NOTES
VLA2412LP-UL	2.0-2.7	12/7	14" Tall, connector, up-look antenna
VLA4515-UL	4.4-5.0	15/7	18" Tall, connector, up-look antenna
VLA6515-UL	6.425-6.525	15/7	14" Tall, connector, up-look antenna

Other frequencies available; consult factory

> Options

MODEL	OPTION
BTA-110	Tripod
BTA-CASE1	Tripod shipping case
DPOD14-CASE	Shipping case for 14" tall pod and cable
DPOD18-CASE	Shipping case for 18" tall pod and cable
Cable Assembly-PTO	6-way UHF cable for PTO connector; specify length up to 300'
Nycoil™ Cable Assembly	Contact BMS for ordering information