



Key Features

- ▶ Light Weight
- ▶ Easy Mounting
- ▶ Weather Resistant
- ▶ 360° Coverage
- ▶ Aerodynamic
- ▶ Low Profile
- ▶ 1.4 to 15 GHz Available
- ▶ 2 to 14 dBi Gain Available

The BMA series of Omnidirectional antennas are co-linear arrays of designed to transmit and receive applications where 360° azimuth coverage is required. The antennas are housed in self-contained fiberglass radomes and mount vertically in portable man pack systems, on fixed and rotary wing aircraft, and at various tower locations.

The low profile BMA-2-0 is commonly used as a camera mounted transmit antenna in large crowd applications and covert installations. The BMA-6-0 is used on airborne and ground based vehicles for both transmit and relay applications. The BMA-9-0, BMA-11-0 and BMA-14-0 omnis are ideal receive antennas for smaller markets where steerable antennas are not feasible.

The antennas are linear polarized and will accommodate up to 60 watts of power. VSWR is 1.5:1 and input connection via type “N”, SMA, or waveguide flange. Mounting brackets and aerodynamic radomes are optionally available.

Omnidirectional	BMA-2-0	BMA-6-0	BMA-9-0	BMA-11-0	BMA-14-0
Frequency Available	1.4-15 GHz	1.4-15 GHz	1.7-2.7 GHz	2.0-2.5 GHz 2.3-2.7 GHz	1.99-2.5 GHz or 7 GHz
VSWR	1.5:1 Max.	1.5:1 Max.	1.5:1 Max.	1.5:1 Max.	1.5:1 Max.
Polarization	Linear	Linear	Linear	Linear	Linear
Gain	2 dB	6 dB	9 dB	11 dBi	14 dB
Power	60W	60W	60W	60W	60W
Bandwidth	12%	6%	4%	4%	2%
AZ Beamwidth	360°	360°	360°	360°	360°
EL Beamwidth	46°	22°	12°	8° (70%)	3°
Length	4.5" Min. (11.43 cm)	12" Min (30.48 cm)	24" Min. (60.96 cm)	50" (127 cm)	50" Min. (127 cm)
Radome Diameter	.84" Min. (2.13 cm)	1.6" Min. (4.06 cm)	1.6" Min. (4.06 cm)	3.75" (9.53 cm)	Consult Factory

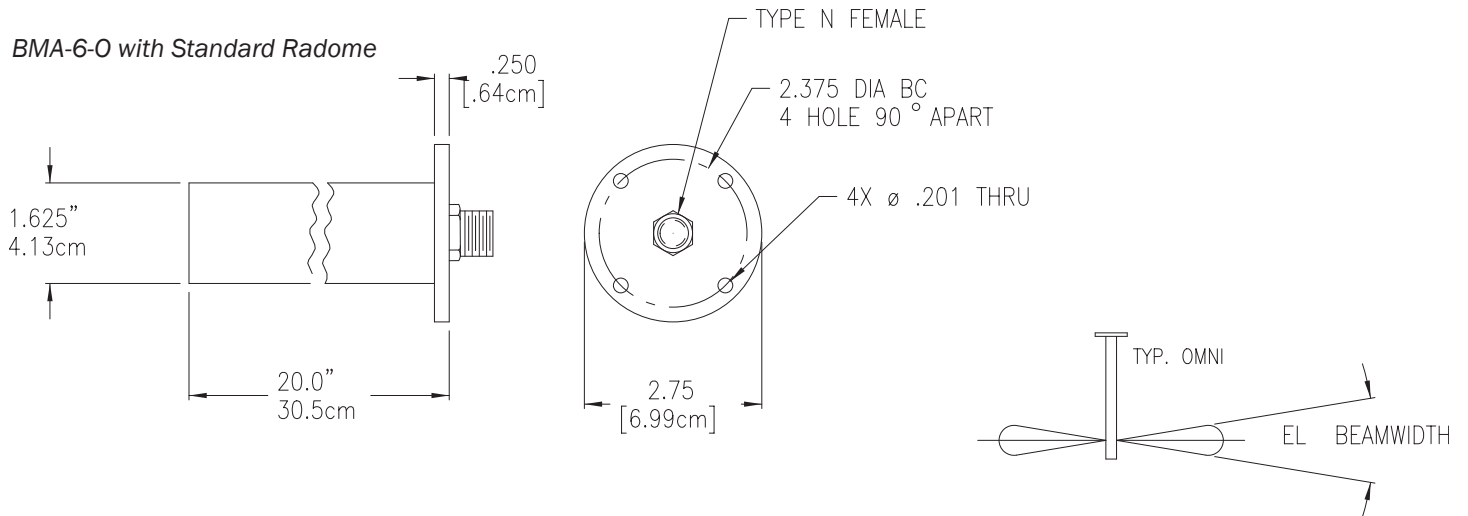
Notes: Connector: Specify “N” or “SMA”

Circular Polarity Available on Some Models. Consult Factory

Length of Radome Dependent Upon Frequency and End Use.

Some Models Available for up to 300kts Airspeed.

BMA-6-0 with Standard Radome



BMA-6-0A with Aerodynamic Radome

