

# GTA-17/24

## Mobile GPS/RF Tracking Antenna

### > Applications

- Public Safety
- Military
- Government Surveillance
- UAV

### > Benefits

- Designed for Use with Customer Supplied Receivers and Laptop PC
- Automatically Tracks Aircraft Using GPS Data or via RF Auto-Track
- Self Calibrating
- Secondary "Up-look" Antenna for Overhead Coverage
- Easy to Use
- Compact Size



### > Features

The GTA-17/24 is easy to setup. Hook up the antenna to a PC system with a single cable, turn on the remote control and the tracking system takes over and automatically detects GPS signals and magnetic north. The system self-calibrates, and selects the correct antenna to detect the microwave signal from the surveillance aircraft.

The GTA-17/24 is a dual band (L and S) fully automatic tracking antenna intended for use with customer supplied receivers and computers. The antenna is typically deployed on a tripod, or mounted on top of a telescoping air mast. and tracks continuously 360° in Azimuth. A second "up-look" antenna is contained in the radome that may be switched in and used when the aircraft is at close range or directly overhead. The system is controlled by a customer furnished PC connected directly to the antenna.

> Specifications

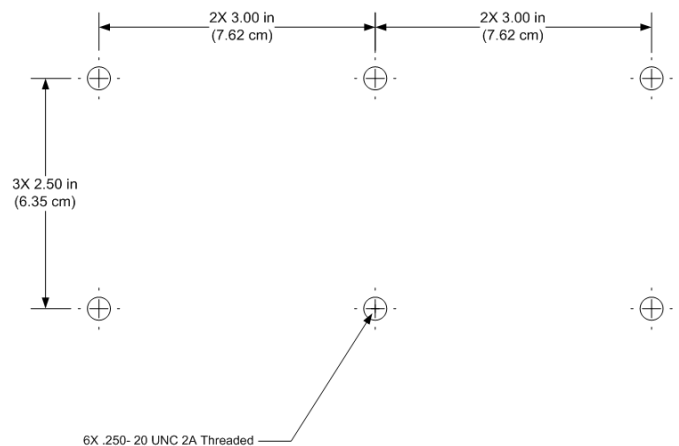
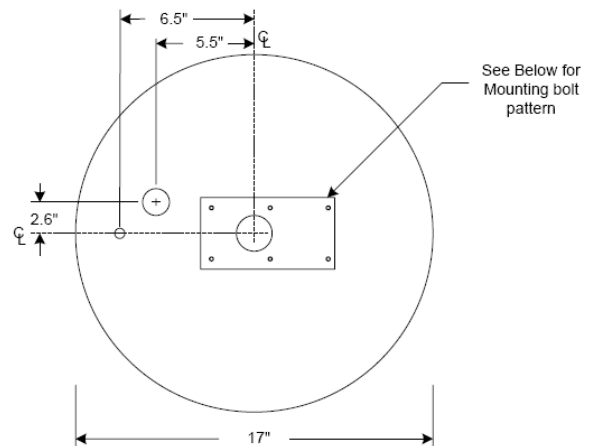
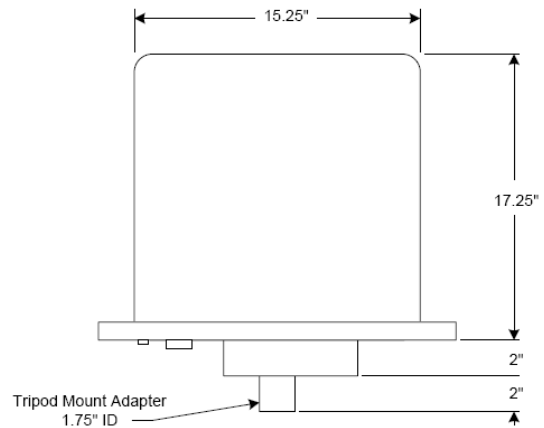
Antenna	
Frequency	1.71 - 1.85, 2.2 - 2.4 GHz
Gain (Primary)	14 dBi Typical @ 2.4 GHz
Beamwidth (Prm)	AZ = 24°, EL = 42° @ 2.1 GHz
Gain (Uplook)	5 dBi
Beamwidth (Uplook)	AZ or EL, 90°
Polarity (Both Antennas)	RHC-Uplook Vertical Array - Primary

Pedestal	
Azimuth Travel	360° Continuous Rotation
Tracking Rate	Up to 20°/sec.

Physical	
Operating Temp.	-20° to +60°C
Wind Load	65 MPH Operate 90 MPH Survive
Power	28 VDC, 2 Amp Max.
Size	Pod: 18" Diameter x 17" High (45.72 x 43.18 cm)
Weight	Pod: 24.75 lbs Typical (11.22 kg)
Color	White (Other Colors Available)

Options	
Antenna Transportation Case	
BTA-170 Medium Duty Tripod	
Tripod Transportation Case	
Nycoil™ Spiral Conduit With Cable For Use With Telescoping Mast	
Remote Control Panel via RS-232 to Customers Laptop	

Connectors	
RF	Type N (f)
Control	Mates with PT06E-22-32S (SR)



NOTE: Many BMS antennas are engineered for use on aircraft exteriors. Some airborne uses can develop stresses beyond the ordinary. Contact the BMS Applications Center to discuss suitability of the antenna of interest for your aircraft project.