

NT2423SDHD

COFDM Transmitter

> Applications

- Mobile SD/HD Transmission for DENG (Digital Electronic News Gathering)
- OB Applications
- Live Events

> Benefits

- Low Power Consumption
- One-Frame Latency (End-to-End)
- COFDM 2k Transmission
- 200 mW
- 8 MHz Bandwidth
- Rugged and Lightweight Design
- Camera Dockable with Brackets
- Anton Bauer- / IDX- / PAG-Battery Mount
- Frequency Range: 1.95 to 7.4 GHz (Subdivided)*
- BTP Encryption on standard

*different models

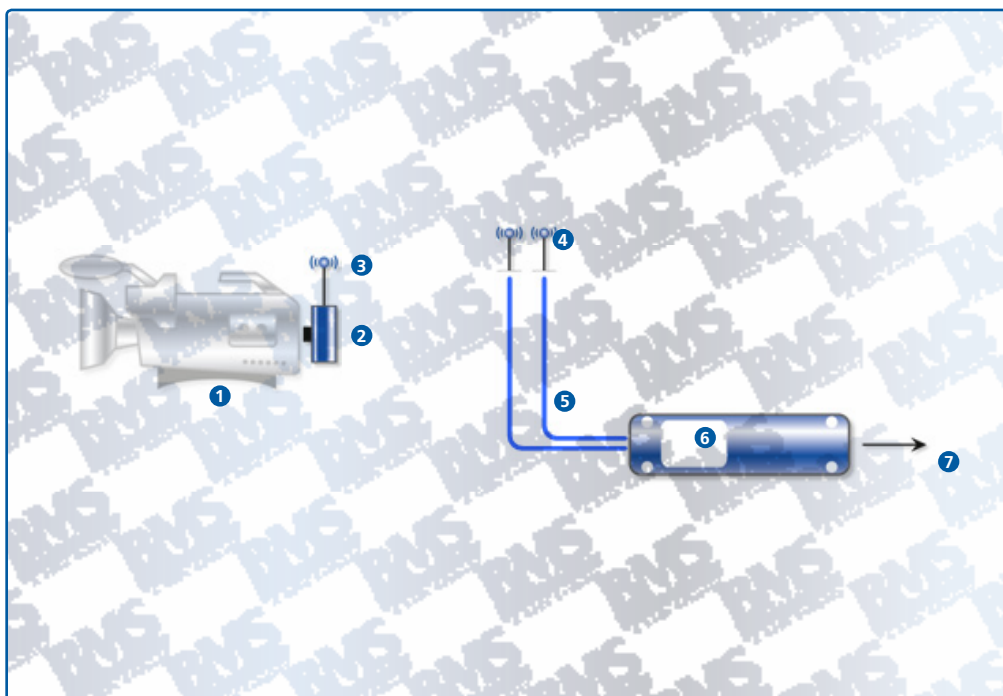
> Options

- AES Encryption
- BISS Encryption
- H.264 Encoding



> Performance

The NT2423SDHD is the no-compromise HD wireless transmitter from BMS. The ground breaking NT2423SDHD affords cutting edge technology supporting many revolutionary features to provide the closest alternative to a wired HD camera that you will find in a really small housing.



Description	
1	Camera
2	NT2423SDHD
3	TX Antenna
4	RX Antenna
5	HF Cable
6	Diversity Receiver
7	Signal Output (SDI);HD-SDI for HD

> Uniqueness

The NT2423 SD-HD continues to offer the best performance in a very small housing. This HD transmitter has an output power of 200mW which is unique in such a small size.

Inputs / Outputs			
BNC (f)	Video in	SDI; HD-SDI	75 Ω
BNC (f)	Video in	CVBS	75 Ω
4pol Hirose	Audio in	2x Analog audio in Line or Mic Level	
4pol Hirose	Data	RS232 for configuration	
SMA (f)	RF out	200mW	50 Ω

> Options

Encryption AES 128, 128/256, or BISS
H.264 Encoding 4:2:0 MP@ML40

Technical Characteristics	
Frequency	1.95 to 7.4 GHz (Subdivided)*
Channel Bandwidth	8 MHz
RF Output Power	max. 200 mW (Adjustable: Low-Medium-High)
Modulation	COFDM 2k
MPEG-2 Encoding	<ul style="list-style-type: none"> MPEG-2 SP@ML MPEG-2 MP@ML MPEG-2 SP@HL(HD) MPEG-2 422 in SD and HD
Video	<ul style="list-style-type: none"> 1920x1080i (HD) 23.98/24/25/29.97/30 fps 1280x720p (HD) and 720x576i 23.98/24/25/29.97/30/50/ 59.94/60 fps PAL / NTSC
Power Input	12 to 17.5 VDC
Consumption	approx. 12 W
Temperature	-20°C to +50°C (-4°F to +122°F)
Relative Humidity	5% to 95%
Dimensions (W x D x H)	NT2423SD-HD without brackets: 82 x 21 x 142 mm (3.22"x0.82"x5.59")
Weight	500g (1,10lbs)
Certification	FCC pending