

# TAA-101

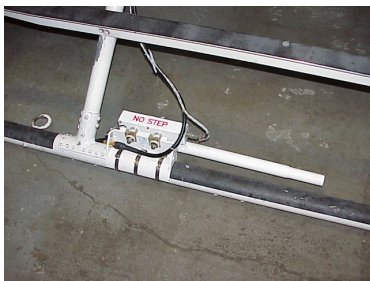
## Omni Actuator System Aircraft Transmit Antenna

### > Applications

- Aerial Surveillance & Pursuits
- Disaster Surveys
- Observe Motorcades
- Traffic Reports
- Parades
- News & Sporting Events

### > Benefits

- Low Cost
- Light Weight
- 360° Azimuth Coverage
- FAA Approved
- Quick Installation
- Transmit & Receive Capability
- Deploys Below Craft While in Flight
- Stow for Landing



Strut Mount



Cross-Tube Mount, TAA-CTM

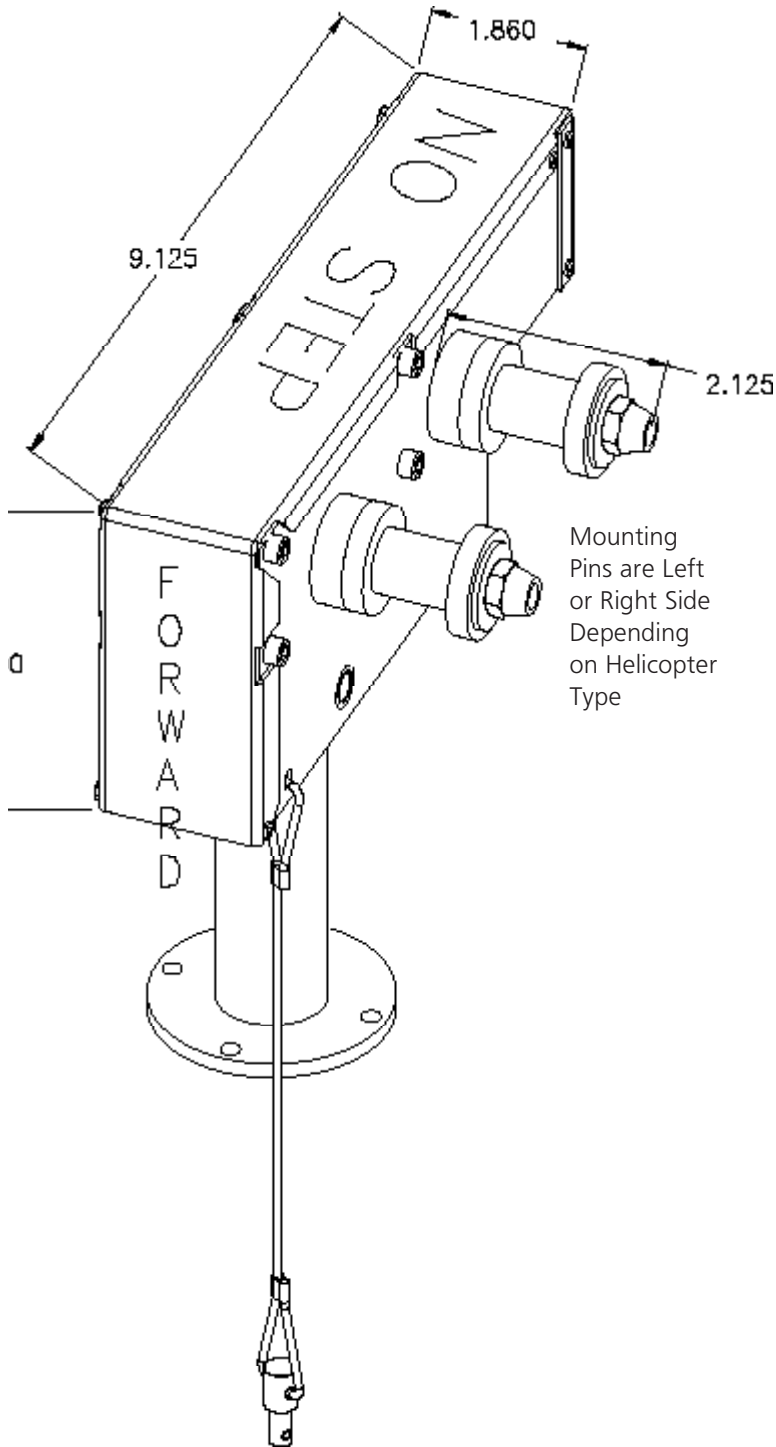


### > Overview

This dependable low cost antenna is skid mounted (or can be fixed to the belly of the aircraft) and employs an omnidirectional antenna that provides 360° of azimuth coverage. The unit comes standard with breakaway release mechanisms to assure safety in case the helicopter lands with the antenna still down in the deployed mode. A safety wire prevents it from dropping off should the breakaway safety feature be used.

This system can be analog when equipped with a BMT75/85 Series Transmitter or digital when equipped with a Heli-Coder II System.

## > TAA-101 Omni Actuator System



Antenna	
Polarization	Vertical or RHC
Gain	5-6 dB (Various Antenna Options Available)
AZ Beamwidth	360°
EL Beamwidth	Dependent on Antenna Selected
Frequency	Dependent on Antenna Selected
Return Loss	≥ 14 dB

Options	
Up/Down Control Box for Stand Alone Actuator Control	
Highlift Kit for Rough Terrain	
BMT75/85 with Heatsink for Analog Transmission or Heli-Coder I or II System for Digital COFDM Transmission	
TAA-CTM, Cross-Tube Mount	
Additional Receive Antenna For Relay Operation	

Control Panel		
Options	HCP-100	HCP-50
Size	5.75" x 3" x 2.5" (14.06 x 7.62 x 6.35 cm)	5.75" x 1.5" x 3.06" (14.06 x 3.81 x 7.78 cm)
Weight	1 lb (.45 kg)	1 lb (.45 kg)

Environmental	
Operating Temperature	-20°C to +55°C
Humidity	Up to 95% RH Non-Condensing

Power	
Voltage Input	28 ± 4 VDC
Consumption	1 A (When Deploying or Stowing)

Mechanical	
Dimensions	Actuator: 9" x 4" x 2" (22.86 x 10.16 x 7.62 cm) Skid Mount: 9" x 3.5" x 4" (22.86 x 8.89 x 10.16 cm) BMA-6-O: 2.5" Diameter x 20" (6.35 x 50.8 cm)
Weight	Actuator: 5 lbs Skid Mount: 2 lbs BMA-6-O: 1 lb

### Broadcast Microwave Services, Inc.

12367 Crosthwaite Circle • Poway, CA 92064 • U.S.A.  
Tel: +1-858-391-30 50 • Toll Free (U.S.): 800-669-96 67  
Fax: +1-858-391-30 49 • Website: www.bms-inc.com  
E-mail: sales@bms-inc.com

### Broadcast Microwave Services Europe GmbH & Co. KG

Schwalbacher Str. 12 • 65321 Heidenrod • Germany  
Tel: +49-61 24-72 39-00 • Fax: +49-61 24-72 39-29  
Website: www.bms-inc.com  
E-mail: saleseurope@bms-inc.com

