



## CT2430LD/LD-S\* Low Delay Transmitter

### > Applications

- Mobile SD Transmission for DENG (Digital Electronic News Gathering)
- Live Events
- Public Viewing

### > Features

- Low System Delay (approx. 40ms)\*\*
- Low Power Consumption
- Direkt I/Q Modulation
- COFDM 2k Transmission
- Camera Dockable with Brackets
- Anton Bauer- / IDX- / PAG - Battery Mount
- Rugged and Lightweight Design
- 1W Output Power (Depending on the frequency)
- Power Input Range from 12 to 18 VDC
- Inbuilt Display and Keyboard
- Frequency Range 1.3 to 5.85 GHz (Subdivided) (other frequencies on request)

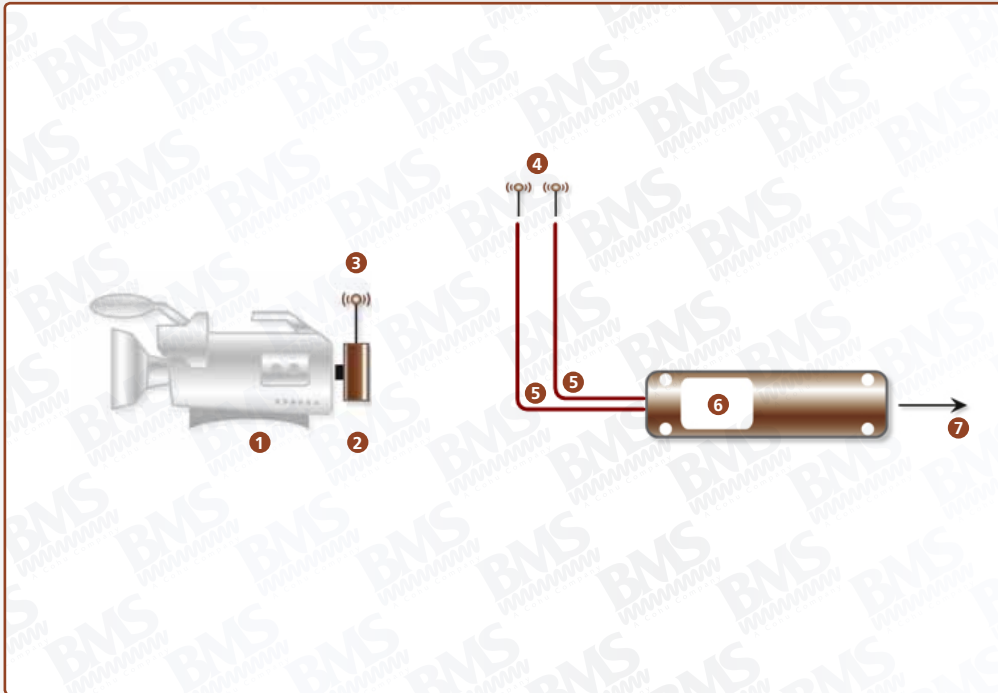
\* with SDI video input

\*\* depending on the receiver used

### > Performance

A multitude of features make this transmitter stand out from the masses. One feature which is indisputably unique is the ability to produce 1W of transmission power with a power consumption of just 12W. Support for MPEG-2 as well as IP technology allows the device to be used flexibly in future-oriented applications. With three control buttons, the CT2430LD/LD-S\* is simple to operate and requires no software or programming tools whatsoever when in operation. Despite its compact size, implementation of the latest technology allows the highest signal quality to be achieved with the minimum system delay of approx. 40ms\*\*.

## > CT2430LD/LD-S\*



### > Description

- 1 Camera
- 2 CT2430LD/LD-S\*
- 3 TX Antenna
- 4 RX Antenna
- 5 RF Cable
- 6 Diversity Receiver
- 7 Signal Output

## > Exceed Expectations

Technical limitations have so far restricted the output powers of most compact camera transmitters to low level. Thanks to BMS technology, we can offer the CT2430LD/LD-S\* with an output power of 1W without the increase of any additional bulk and power consumption increase which is normally expected. The CT2430LD/LD-S\* provides long range transmission and battery life with a latency of only 40ms.

### > Inputs/Outputs

<b>BNC (f)</b>	Video in	PAL or NTSC in	75 Ω
<b>BNC (f)</b>	Video in	CT2430LD-S*: SDI in	75 Ω
<b>5 pin Lemo</b>	Audio in	- Analog audio in Line Level or Mic Level - Embedded audio - AES/EBU digital	
<b>SMA (f)</b>	RF out	1 W RF output	50 Ω

\* with SDI video input

### > Technical Characteristics

<b>Frequency</b>	1.3 to 5.85 GHz (subdivided) (other frequencies on request)
<b>Channel Bandwidth</b>	6, 7, 8 MHz
<b>RF Output Power</b>	1 W (depending on the frequency)
<b>Modulation</b>	<ul style="list-style-type: none"> <li>• COFDM 2k</li> <li>• QPSK, 16QAM, 64QAM</li> <li>• FEC 1/2, 2/3, 3/4</li> <li>• Guard 1/4, 1/8, 1/16, 1/32</li> </ul>
<b>Video Encoding</b>	<ul style="list-style-type: none"> <li>• MPEG-2 SP@ML</li> <li>• MPEG-2 MP@ML</li> <li>• MPEG-2 422P@ML</li> </ul>
<b>Audio</b>	2 Channels
<b>Control</b>	Inbuilt display and keyboard configuration and control
<b>Power Input</b>	12 to 18V
<b>Consumption</b>	12 W
<b>Temperature</b>	-20 to +50°C (-4 to +122°F)
<b>Relative Humidity</b>	5 to 95%
<b>Dimensions (W x D x H)</b>	CT2430LD/LD-S* without brackets: 138 x 87 x 27 mm (approx. 5.43" x 3.43" x 1.06")
<b>Weight</b>	CT2430LD/LD-S* without brackets: 0.8 kg (1.76 lbs)