



BMA9034-4A Dual Axis Tracker



The BMA-9034-4A is a self contained dual axis tracking system, capable to track a UAV up to a distance of 80 km with 6 dBi omni antenna.

The tracking antenna system can be deployed either portable, mounted on a medium duty tripod or mobile, installed on top of a vehicle.

The tracking antenna system is self contained. All the necessary sub-systems e.g. tracking receiver, up-link transmitter, controller and power supply etc. are integrated into the 34" (86.4cm) antenna dome. The tracking antenna system requires a +24V to +32V DC power source to be supplied via the control cable. The tracking antenna system is connected to a Schiebel interface unit, providing the DC power and has the necessary interfaces to a work station or laptop computer.





BMA9034-4A Dual Axis Tracker

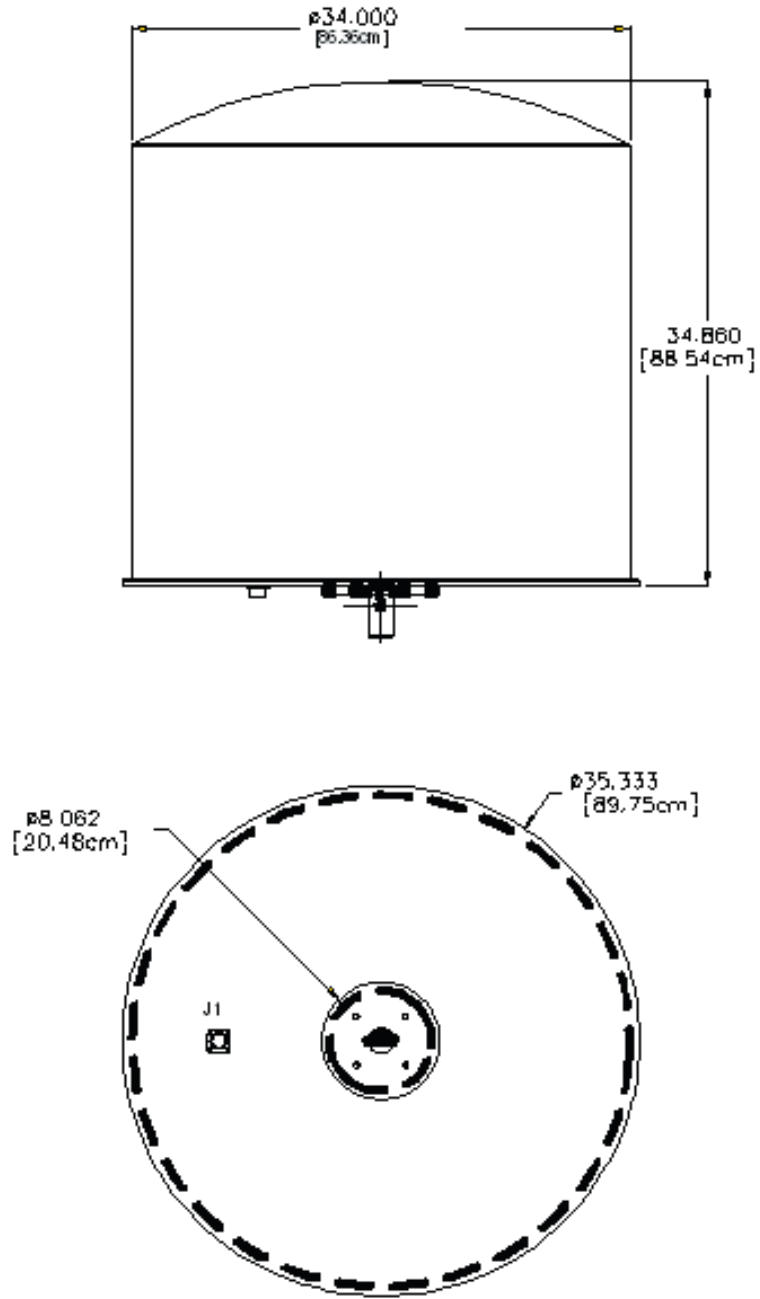


Figure 10: BMA9034-4A Outline Drawing

All Data Subject to Change Without Notice
1/21/2005

Broadcast Microwave Services, Inc.
12367 Crosthwaite Circle - Poway, California 92064 - U.S.A.
Tel: +1-858-391-3050, Toll Free (U.S.): 800-669-9667
Fax: +1-858-391-3049, Website: www.bms-inc.com
E-mail: sales@bms-inc.com

